

EUROSWM

SWIMMING POOL CENTRIFUGAL PUMPS*

FILTRATION SYSTEM IN THE PUBLIC AND PRIVATE POOL, INDUSTRIAL APPLICATIONS



***Suitable also for salt water**

High efficiency self-priming centrifugal pumps with built-in large capacity prefilter. Extremely quiet running and great reliability, developed for water circulation and filtration in domestic and residential swimming pools. Suitable also for special applications that call for handling of aggressive liquids, in fish farms, agriculture and industry. Pump body in fibreglass reinforced technopolymer. Strainer cover in clear antioxidant polycarbonate to guarantee constant visibility through time. Nylon strainer. Impeller in fibreglass-reinforced technopolymer developed to ensure total coverage and isolation of the motor shaft from the pumped liquid. Diffuser in reinforced technopolymer. Mechanical seal in carbon / alumina / NBR / AISI 316. Pump body O-rings in NBR, threaded fasteners and reinforcing rings in AISI 304. Butterfly drain plugs that can be removed and refitted without tools.

Asynchronous continuous duty 2-pole motor (S1) with generous range of power ratings from 0.5 HP to 3 HP, single phase and three-phase (see technical specifications). Motor casing in die cast aluminium with electrophoretic surface treatment to prevent oxidation even in aggressive environmental conditions. Baseplate supplied as standard with rubber mounts to reduce vibration transmission.

Single phase version with integral thermal and overcurrent protection and permanent split capacitor (PSC), assembled inside the terminal box for all versions.

Motor and terminal box protection rating: IP55
Insulation class: F
Ball bearings: water-proof, sealed, resistant to water and humidity.
 Motor construction to EN 60335-2-41 standards
Standard voltage: Single phase 220-240V 50Hz
 Three-phase 230/400V 50Hz
Operating range: up to 42 m³/h with pressure head of up to 22 m
Pumped fluid: clean water or water slightly contaminated with suspended particulate, long fibre; highly aggressive water with high percentage contents of chlorine/bromine and PHMB (Polyhexamethylene Biguanide) or water treated with chlorine electrolytic process.
Liquid temperature range: up to 60°C
Maximum ambient temperature: +50°C
Maximum operating pressure: 2,5 bar
Installation: fixed or portable in horizontal position
Special executions on request: alternative voltages and/or frequencies
Fittings on request: 2"/50 - 63 kit (two fittings + O-ring - see "Accessories")
Reference standard: IEC - 60364

MODEL	CODE	ELECTRICAL DATA							MAX NOISE LEVEL dB (A)	HYDRAULIC DATA																			
		VOLTAGE 50 Hz	P1 MAX W	P2 NOMINAL		In A	CAPACITOR			Q=m³/h	H (m)																		
				kW	HP		µF	Vc			0	3	6	9	12	18	21	24	30	36	42								
EUROSWM 50 M	60118028	1x220-240 V ~	900	0,33	0,5	4,2	16	450	64	12,0	11,7	11,2	10,5	9,3	5,3														
EUROSWM 75 M	60118029	1x220-240 V ~	1000	0,5	0,75	5	20	450	65	13,8	13,5	13,1	12,4	11,1	7,5	5													
EUROSWM 75 T	60145192	3x230-400 V ~	950	0,5	0,75	3,5 / 2	-	-	65	13,8	13,5	13,1	12,4	11,1	7,5	5													
EUROSWM 100 M	60118030	1x220-240 V ~	1300	0,75	1	6,3	25	450	66	15,4	15,4	15	14,2	13,1	10,0	7,8	5,6												
EUROSWM 100 T	60145258	3x230-400 V ~	1200	0,75	1	4 / 2,4	-	-	66	15,4	15,4	15	14,2	13,1	10,0	7,8	5,6												
EUROSWM 150 M	60118032	1x220-240 V ~	1600	1,1	1,5	7	31,5	450	66	16,2	15,9	15,4	14,9	14,2	12,4	11,1	9,3	5,3											
EUROSWM 150 T	60146030	3x230-400 V ~	1500	1,1	1,5	6,5 / 3,7	-	-	66	16,2	15,6	15,2	14,6	13,9	12,4	11,1	9,3	5,3											
EUROSWM 200 M	60118033	1x220-240 V ~	1900	1,5	2	8,6	40	450	67	18,6	18,2	17,7	17,1	16,5	15,0	14,1	12,8	9,0	4										
EUROSWM 200 T	60146035	3x230-400 V ~	1900	1,5	2	7,2 / 4	-	-	67	18,6	18,2	17,7	17,1	16,5	15,0	14,1	12,8	9,0	4										
EUROSWM 300 M	60122213	1x220-240 V ~	2800	2,2	3	12	40	450	64	22,0	21,9	21,7	21,3	20,8	19,6	18,9	18,1	15,9	12,5	8,6									
EUROSWM 300 T	60146024	3x230-400 V ~	2800	2,2	3	8,7 / 5	-	-	64	22,0	21,9	21,7	21,3	20,8	19,6	18,9	18,1	15,9	12,5	8,6									

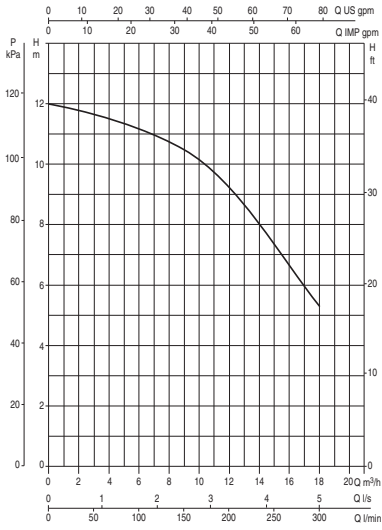
UNIONS KIT	DESCRIPTION	CODE
	2" UNIONS KIT / DN 50-63	60120005



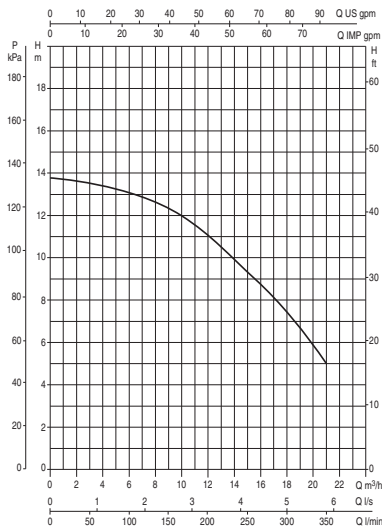
EUROSWIM

SWIMMING POOL CENTRIFUGAL PUMPS

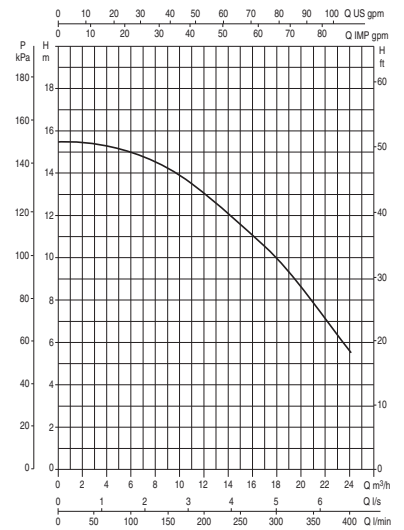
EUROSWIM 50



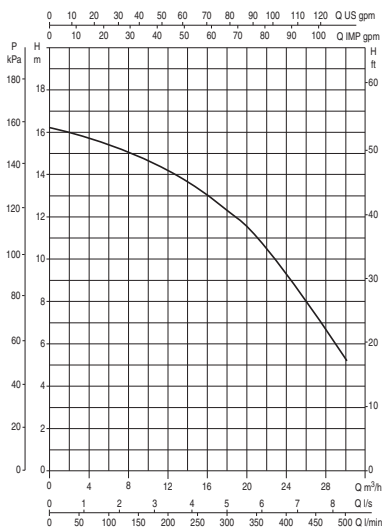
EUROSWIM 75



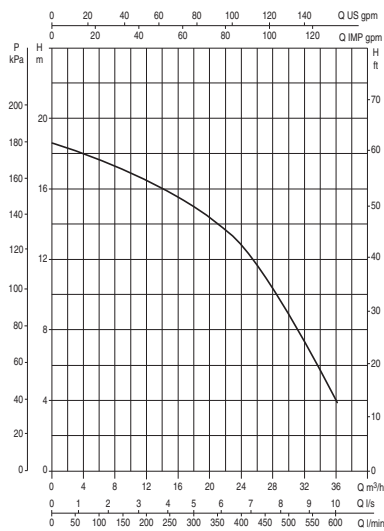
EUROSWIM 100



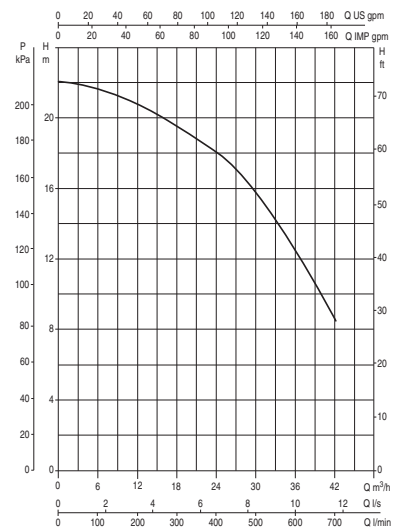
EUROSWIM 150



EUROSWIM 200



EUROSWIM 300

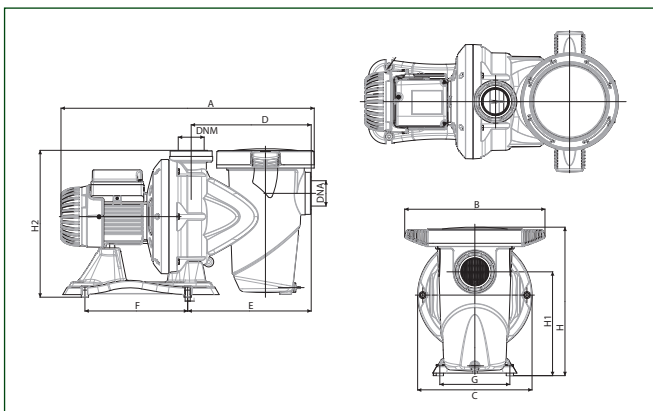


MULTISTAGE CENTRIFUGAL
AND SELF-PRIMING PUMPS

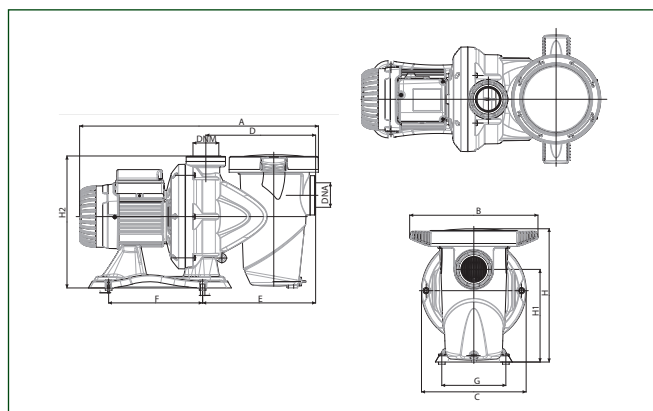
EUROSWIM

SWIMMING POOL CENTRIFUGAL PUMPS

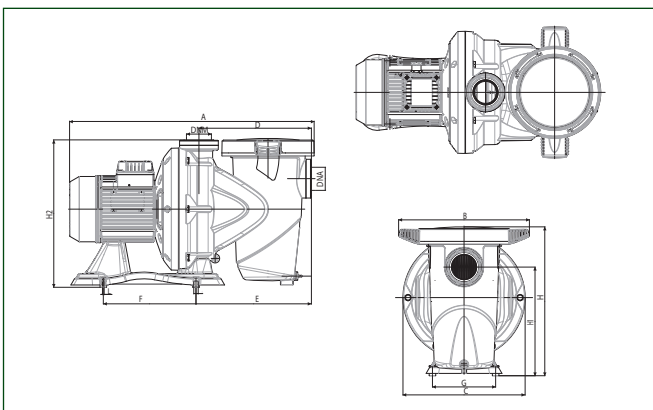
EUROSWIM 50



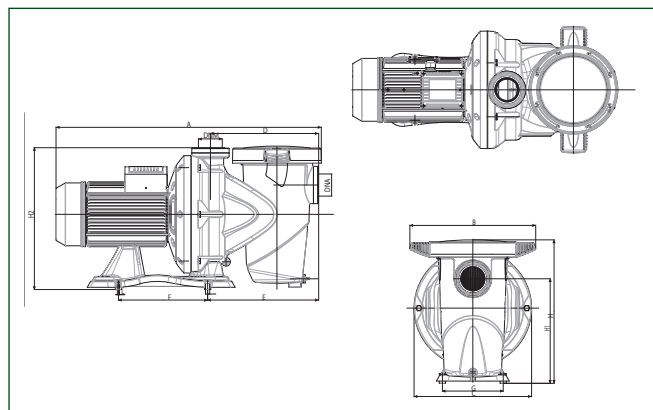
EUROSWIM 75 - 100



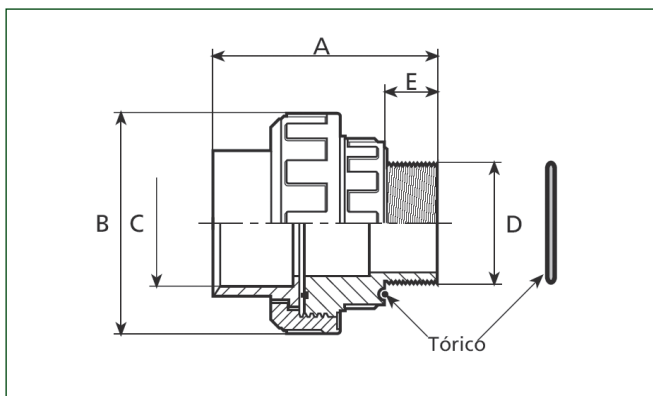
EUROSWIM 150 - 200



EUROSWIM 300



2" GAS CONNECTION FITTINGS KIT



MODEL	A	B	C	D	E	F	G	H	H1	H2	I	L	DNA GAS	DNM GAS	PACKAGING DIMENSIONS			WEIGHT KG	Q.TY x PALLET
															L	B	H		
EUROSWIM 50 M	536	242	242	257	265	220	150	351	222	314	11	6,5	2"	2"	600	360	400	16	8
EUROSWIM 75 M	552	242	245	257	265	220	150	351	222	314	11	6,5	2"	2"	600	360	400	16,5	8
EUROSWIM 75 T	552	242	245	257	265	220	150	351	222	314	11	6,5	2"	2"	600	360	400	16,5	8
EUROSWIM 100 M	552	242	245	257	265	220	150	351	222	314	11	6,5	2"	2"	600	360	400	17	8
EUROSWIM 100 T	552	242	245	257	265	220	150	351	222	314	11	6,5	2"	2"	600	360	400	17	8
EUROSWIM 150 M	574	250	290	267	274	220	150	387	258	350	11	6,5	2"	2"	720	350	430	22	6
EUROSWIM 150 T	574	250	290	267	274	220	150	387	258	350	11	6,5	2"	2"	720	350	430	22	6
EUROSWIM 200 M	648	250	290	267	274	220	150	387	258	350	11	6,5	2"	2"	720	350	430	24	6
EUROSWIM 200 T	574	250	290	267	274	220	150	387	258	350	11	6,5	2"	2"	720	350	430	22	6
EUROSWIM 300 T	648	252	290	267	274	220	150	387	258	350	11	6,5	2"	2"	720	350	430	24,5	6
2" GAS FITTINGS KIT	99	99	50/63	2"	20	-	-	-	-	-	-	-	-	-	-	-	-	24	6